

GOLO[®]

POWER WINCH

a product of CORDEM[®]



Powerful, High Quality, Compact and Lightweight

General Industry, Construction, OEM, Marine, Military and More!

1200 and 700 lb. direct lift electric winches. Pull up to 30,000 lbs. on a level grade.

Turn major jobs into minor chores with easy to operate, compact, lightweight, electric winches.

Without accessories: Single Drum—37 to 40 lbs. Double Drum—68 to 71 lbs.

REMOTE DOUBLE DRUM
FOR CONTINUOUS LOOP OPERATION
PROVIDING MAXIMUM PULLING OR LIFTING POWER



STANDARD SINGLE DRUM
WITH DRUM DIVIDER
AS AN ACCESSORY



STANDARD SINGLE DRUM
WITH REVERSIBLE CABLE GUARD
AS AN ACCESSORY

CHECK (✓) OUT ALL THESE EXTRA-VALUE FEATURES COMMON ADVANTAGES TO BOTH SINGLE AND DOUBLE DRUM:

- **HI-STRENGTH ALUMINUM GEAR HOUSING**—Lightweight-Precision machined to exact specifications.
- **LIGHTWEIGHT INTERMITTENT REVERSIBLE MOTOR**—High speed AC 1.3 HP open universal motor with aluminum body. 115 v-15 amps, 230 v-8 amps.
- **DOUBLE REDUCTION WORM GEARING**—Aluminum bronze worm gears with hardened and ground steel worms. Gear ratios: 533-1 and 267-1.
- **BALL AND ROLLER BEARINGS**—Used throughout for smooth performance.
- **SINGLE SELECTOR SWITCH CONTROLS (AC ONLY)**—Momentary or Maintained available.
- **SEALED GEARS**—Run in oil bath for constant lubrication to help prevent "friction wear" and heat rise.
- **SIMPLE FIELD REPAIR**—Quick disconnect of switch connections and of main box assemblies.
- **SWITCH BOX MATERIALS**—Hi-impact plastic made from permanent mold equipment.
- **EASY MOUNTING**—Mount horizontally, vertically or inversely with the 4-mounting holes below drum. (All positions **except** wall mount with oil filler plug in "up" position.)
- **DISCONNECT**—Available as option on remote controls.

SINGLE DRUM WINCH FEATURES:

- **CABLE LOCK**—Lets you attach cable to drum in seconds.
- **ANTI-STACKING DRUM**—Helps eliminate cable "stacking" that can reduce lifting / pulling power.

DOUBLE DRUM WINCH FEATURES:

- **SPECIALLY GROOVED STEEL DRUMS**—Assist in proper alignment for continuous loop cable.
- **ADDITIONAL BEARINGS**—Four large load carrying bearings at drum section.

Patented **trigger-duodynamic™** electrical braking in conjunction with reversible universal motor plus double reduction self-locking worm gearing gives the operator safer control.

SPECIFICATIONS

Single Drum Winches

Series	Drum Cable Layer	Lift Capacity (lbs.)	Line Speed (ft. / min.)		
			In	Out	No Load
1200	1st Full	1200	17	37	28
		700	25	54	41
700	1st Full	700	34	76	56
		400	50	112	82

IMPORTANT 1) First cable layer should have at least the first five wraps **not** in use. 2) Each additional cable layer reduces capacity. Block and Tackle arrangement (use double line only): doubles capacity and cable on drum but reduces line speed by one-half.

Double Drum Winches

Series	Drum Cable Layer	Lift Capacity (lbs.)	Line Speed (ft. / min.)	
			Full Load	No Load
1200	Continuous	1200	17	28
700	Continuous	700	34	56

INCLINE DATA: All winches can pull much greater loads than they can lift. (Ex: Series 1200, using first cable layer, can pull 15,200 lbs. running on casters up a 5% grade. This considers a 3% rolling friction.)

Line Speed will vary with voltage input. Figures are based on line voltage at motors (115 v or 230 v).

Cable On Drum

Cable Diameter (inches)	Drum Capacity (feet)	Breaking Strength (lbs.)
1/8	512	2,000
5/32	325	2,800
3/16	215	4,200
7/32	165	5,600
1/4	135	7,000

Galvanized aircraft cable, 7 x 19, is recommended for strength and flexibility.

IMPORTANT: Cordem specifies a minimum cable safety factor of 5:1 and a Safety Latch on all hooks.

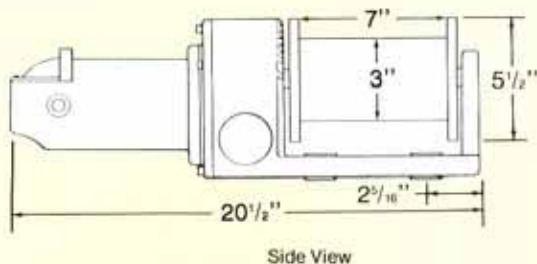
MORE ADVANTAGES OF THE GOLO® POWER WINCH

Lightweight and compact features of **GOLO** POWER WINCH aid in OEM usage as well as easier handling for storage and maintenance. Shipping costs are held to a minimum. **Quality consciousness** since introduction of first model in 1962 minimizes downtime. Each unit is completely factory wired and comes with oil in gear box for quick field usage.

Conversion Kits Available & Custom Designs

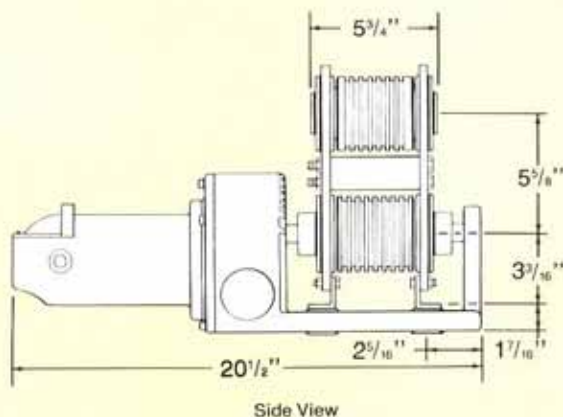
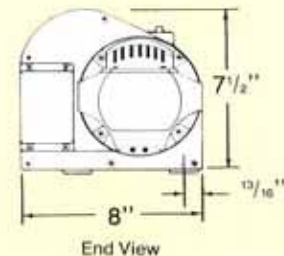
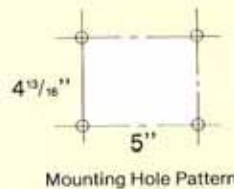
The 1200 Series can be converted to the 700 Series and vice versa. **Custom Design Proposals invited.** Consult factory for further information.

DIMENSIONS

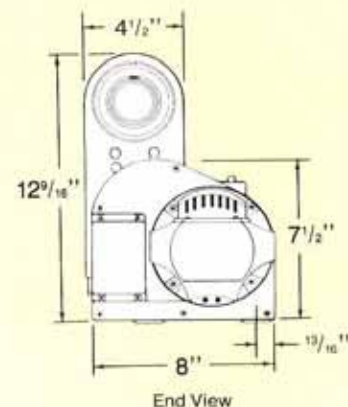


SINGLE DRUM

Bolt size 1/2"
Hole size 17/32"



DOUBLE DRUM



ACCESSORIES

SINGLE AND DOUBLE DRUM MODELS:

ACP-12 Motor and Switch Box Shield—For added protection against outside inclement weather conditions. Plastic with opening on bottom for air circulation (*upright winch position only*).

ACP-22 Handle—For carrying winch.

ACP-52 Trolley (6 inch I-Beam)—Has 1200 lb. capacity and hoist headroom of 11½ inches.

SINGLE DRUM ONLY:

ACP-56 Reversible Cable Guard (all positions except inverted) and **ACP-58 Cable Guard** (for inverted position) help prevent cable from slipping over drum flanges.

ACP-65 Drum Divider—Lets you use two or more separate cables on one drum. Each divider is ¾ of an inch wide, thus reducing drum cable capacity.

GOLO® POWER WINCH DESIGNATION CODE

Winch Series: 12 = 1200 7 = 700

Voltage: 15 = 115 volt 30 = 230 volt

Switch Control: S = Standard (mounted on winch)

R = Remote (10-ft. remote cord, additional lengths available)

MO = Momentary Selector Switch

MA = Maintained Selector Switch

(Ex : 12-15 RMO = 1200 Series / 115 volt / Remote Momentary Selector Switch.)

STANDARD

Series	Voltage	Switch	Model
1200	115	MO	12-15 SMO
1200	115	MA	12-15 SMA
1200	230	MO	12-30 SMO
1200	230	MA	12-30 SMA
700	115	MO	7-15 SMO
700	115	MA	7-15 SMA
700	230	MO	7-30 SMO
700	230	MA	7-30 SMA

REMOTE

Series	Voltage	Switch	Model
1200	115	MO	12-15 RMO
1200	115	MA	12-15 RMA
1200	230	MO	12-30 RMO
1200	230	MA	12-30 RMA
700	115	MO	7-15 RMO
700	115	MA	7-15 RMA
700	230	MO	7-30 RMO
700	230	MA	7-30 RMA

If Remote Disconnect is required, add a "X" after Model #. (Ex : 12-15 RMO X)

If Double Drum is required, add a "D" before Model #. (Ex : D 12-15 RMO)

How To Order:

First, determine these requirements:

(A) — Single or Double Drum

(C) — Voltage requirement (115 or 230)

(E) — Momentary or Maintained Control Switch

(B) — Series needed (1200 or 700)

(D) — Standard or Remote Control

(F) — Accessory Equipment Required

Then, provide correct number from chart above. **Available** without Switch Control and/or Motor. Consult factory. **For Parts:** Please provide Part Number listed in Maintenance Manual. **For Repair:** Please provide Model Number, Serial Number, plus current winch unit application.

Safety Rules

The following guidelines for proper operation are emphasized because of our concern for your safety as well as our liability.

WARNINGS AND DISCLAIMERS

All winches described herein are not designed or intended for any type of human support or transportation. Cordem and any other sellers hereby disclaim any liability or responsibility whatsoever for any injuries or damages resulting from such improper use, or from the following additional improper uses: Loads beyond Cordem specifications; operations with drum cable below Cordem specifications as to safety factor, or with worn, inferior or damaged cable; slippage of cable over drum flange caused by excess cable on drum;

use of hooks without safety latches; improperly secured winches or loads; improper positioning of persons or property beneath, below or too near loads; improper conversion or repair of winches; improper switching technique; failure to follow the Cordem Maintenance Manual. Cordem and any other sellers intend to make no warranties herein and all warranties are strictly limited to the terms and conditions of the warranty card which accompanies the specific winch sold to a customer.

Patent and Trademark registrations are filed in U.S. and various countries. U.S. Patent No. 3,965,404 for the Advanced TRIGGER-DUODYNAMIC™ electrical braking. Trademarks: **GOLO®** and **CORDEM®**.

SOLD BY:

GOLOWINCH.COM

GOLO® POWER WINCH
CORDEM Corporation