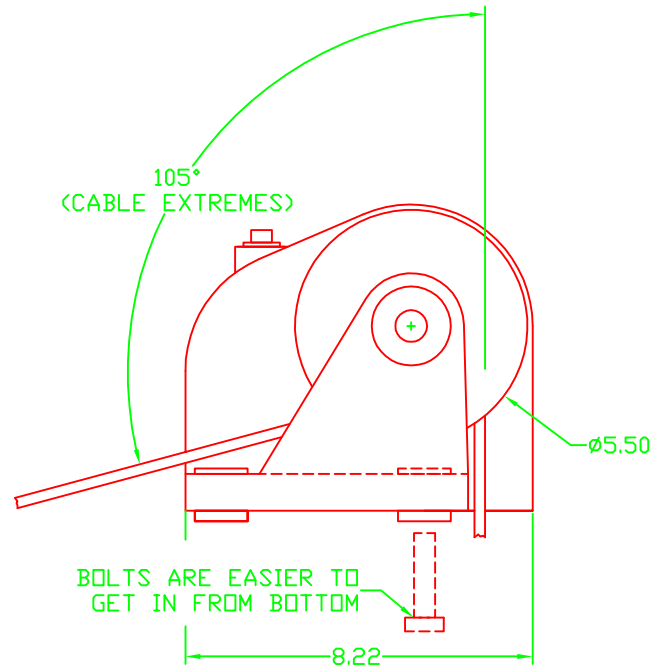
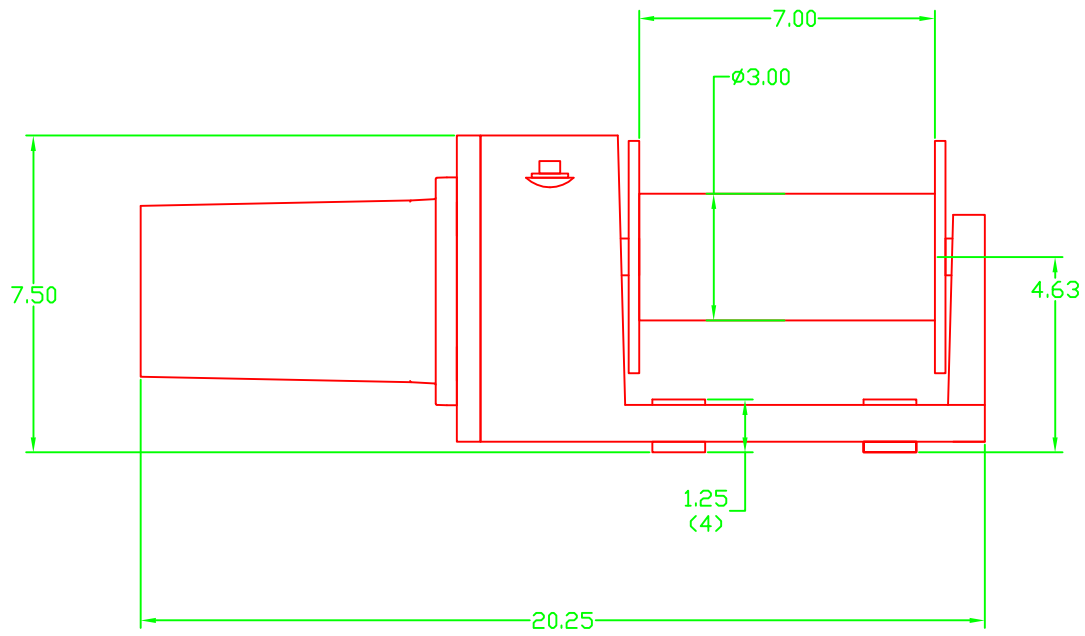
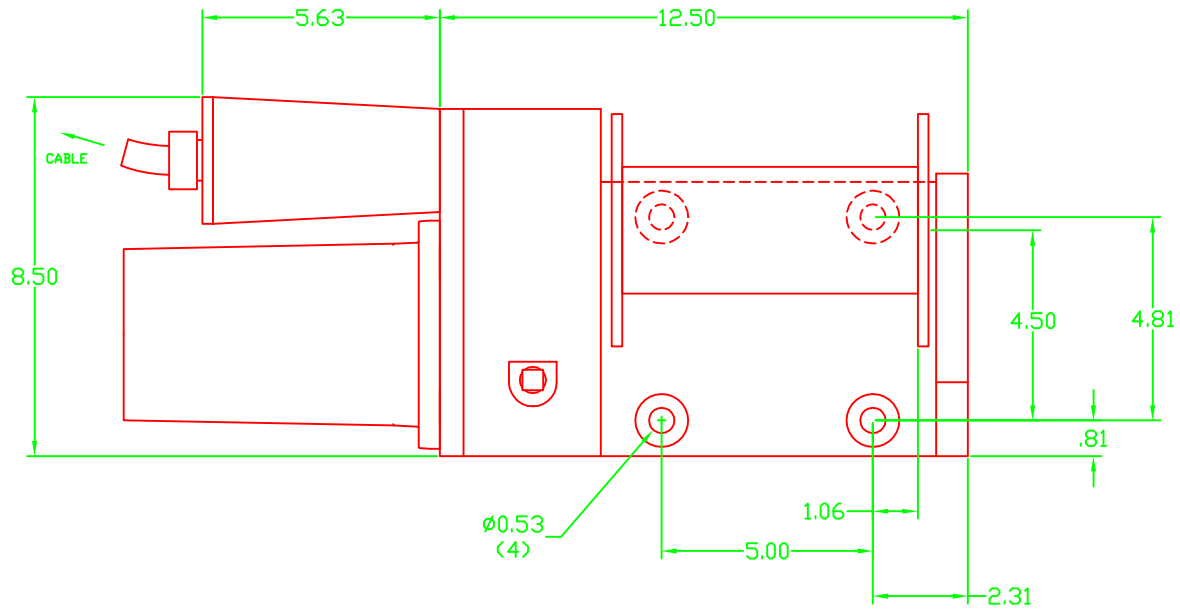


REVISIONS				
DESCRIPTION				
DTSMN	APPL.	DATE	LETTER	EDD



-TOLERANCES- UNLESS OTHERWISE NOTED DIMENSIONS IN INCHES		CORDEM Corporation 7850 Park Drive Chanhassen, Minnesota 55317-9500			
FRACTIONS $\pm 1/64$	SURFACE FINISH	TITLE WINCH DIMENSIONS			
TWO PLACES $\pm .030$	REMOVE ALL BURS AND SHARP EDGES	MATERIAL			
THREE PLCS $\pm .010$		DATE	SIZE	DRAWING NO.	REV.
ANGLES $\pm 1^\circ$	DATE	SCALE	FULL	SHEET 1 OF 1	
	DATE				